



PREMIUM RANGE LED PANEL LUMINAIRE

954-042 - CYFELCO 3 REP 30X60 2500Lm/20W 865 DL

PRODUCT DATASHEET

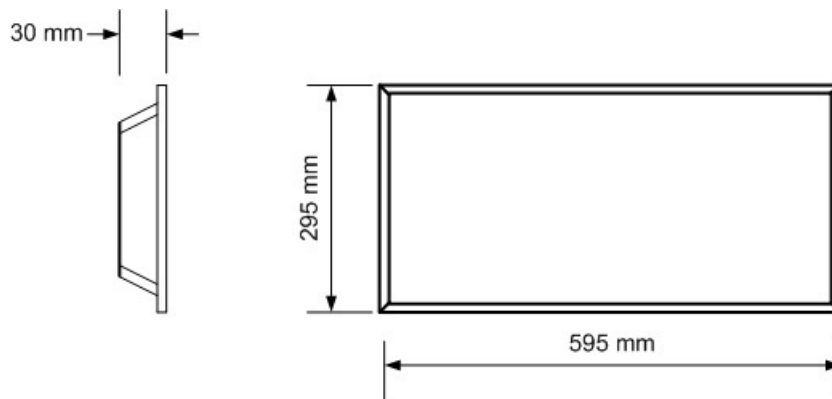
DALI/PUSH, Rectangle recessed panel luminaires with CRI90, for 300 x 600 mm ceiling systems

Areas of application

- Direct replacement for recessed luminaires with - fluorescent lamps
- Offices, conference rooms, reception areas, foyers, corridors, elevators
- Suitable for recessed ceiling systems with grid size of 300 x 600 mm
- Suitable for surface installation via aluminium surface mounting frame

Product Features

- Premium performance with CRI (Ra)>90 and up to 125lm/W
- Energy Class D
- DALI/PUSH, External driver for extended flexibility and easy installation
- Flicker-Free
- Extruded aluminum frame
- Lifetime (L80/B10): up to 60,000 h (at 25 °C)
- 5 Years Warranty



TECHNICAL DATA

Operating and Electrical

Input Voltage	220-240V AC
Line Frequency	50/60 Hz
Nominal Power Consumption	20 W
Power Factor	>0.95
Total Harmonic Distortion	<20%
Protection Class	Class II
Driver	External
Connection	Push in connector

Over Time Performance

Lifespan L70/B50 at 25 °C	>60000 hrs
---------------------------	------------

Application

Ambient Temperature Range	-25 to +40 °C
Ingress Protection Code	IP40
Mech. Impact Protection	IK02
Application Environment	Indoor
Mounting Type	Recessed/Surface
Dimmable	YES (DALI/PUSH)

Logistics

Dimensions (H x L x W)	30x595x295 mm
Packaging Size	605x40x315 mm
Gross Weight	1.08 Kg
Net Weight	0.8 Kg

Directives

2014/30/EU	Electromagnetic Compatibility Directive
2014/35/EU	Low Voltage Directive
2011/65/EU	Restriction of Hazardous Substances Directive (RoHS)
2009/125/EU	Ecodesign Requirements for energy-related products

Standards

EN 60598-1:2015	Luminaires part 1 General Requirements
EN 60598-2-1:1989	Part 2: Particular requirements-Section 1 Fixed general purpose luminaires
EN IEC 55015:2019 +A11:2020	Limits and methods of measurement of radio disturbance characteristics of electrical lighting and similar equipment
EN 61547:2009	Equipment for general lighting purposes - EMC immunity requirements
EN IEC 61000-3-2:2019	Electromagnetic compatibility (EMC) - Part 3-2: Limits - Limits for harmonic current
EN 61000-3-3:2013+A1:2019	Electromagnetic compatibility (EMC) - Part 3-3: Limits - Limitation of voltage changes, voltage fluctuations and flicker in public low-voltage supply systems, for equipment

Photometric Data

Luminous Flux	2500 lm
Luminous Efficacy	125 lm/W
Color Temperature	6500 K (Cool Daylight)
Color Rendering Index Ra	>90
SDCM	<5
Flickering metric (Pst LM)	<1
Stroboscopic Effect (SVM)	<0.4
Photobiological safety group	RG 0
Beam Angle	120°
UGR	<22

Mechanical and Housing

Housing Material	Steel (Aluminium frame)
Optic Material (on LED chips)	PMMA lens
Diffuser	Polystyrene
Housing Color	White

Packaging

Packaging	6pcs per Carton
Carton Box Gross Weight	8.5 Kg
Carton Box Net Weight	8.0 Kg

Accessories/Options

Recessed installation	Torsion Springs
Surface Installation	Mounting Frame (Optional)

